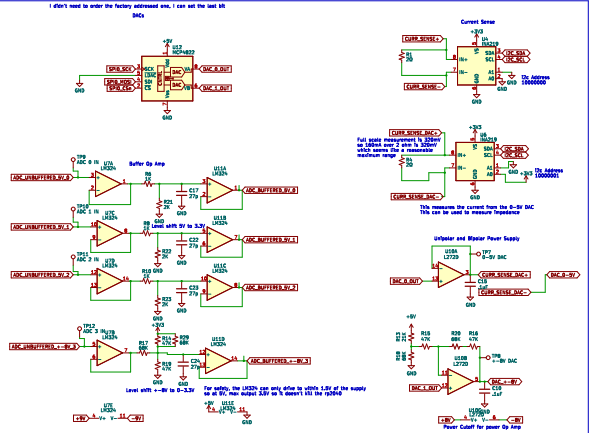
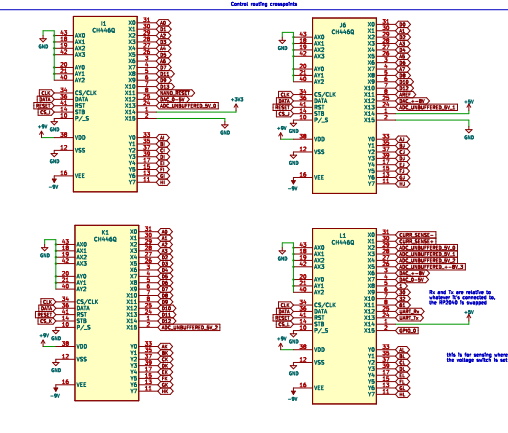
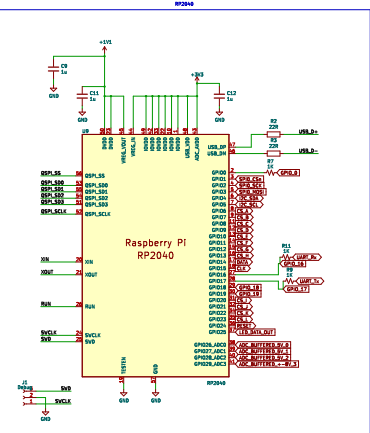
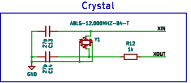
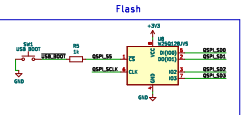
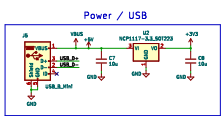
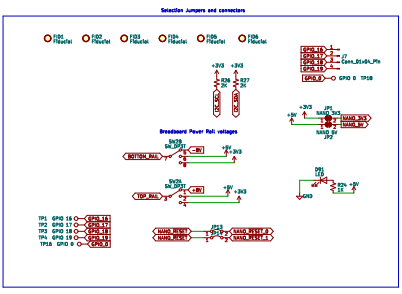
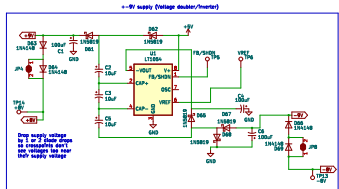
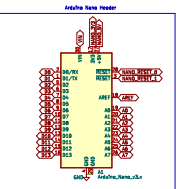
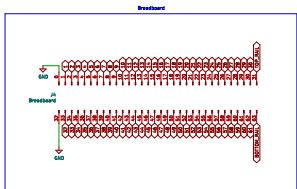
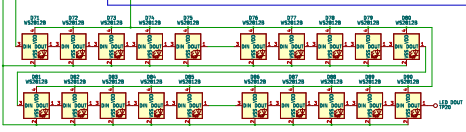
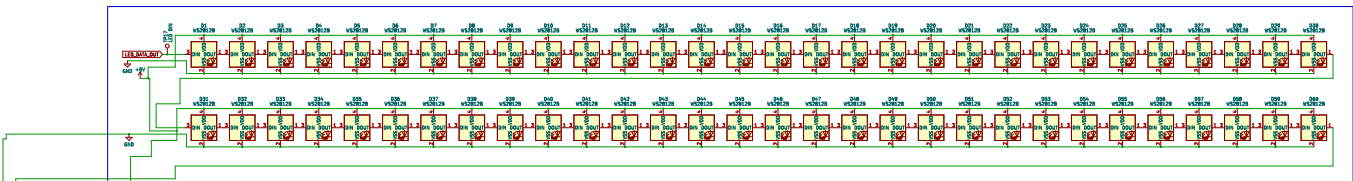


Breakdown LED data into columns for an 8 pin header for PCB as it can fit under the breakout!



Crosspoint matrix

